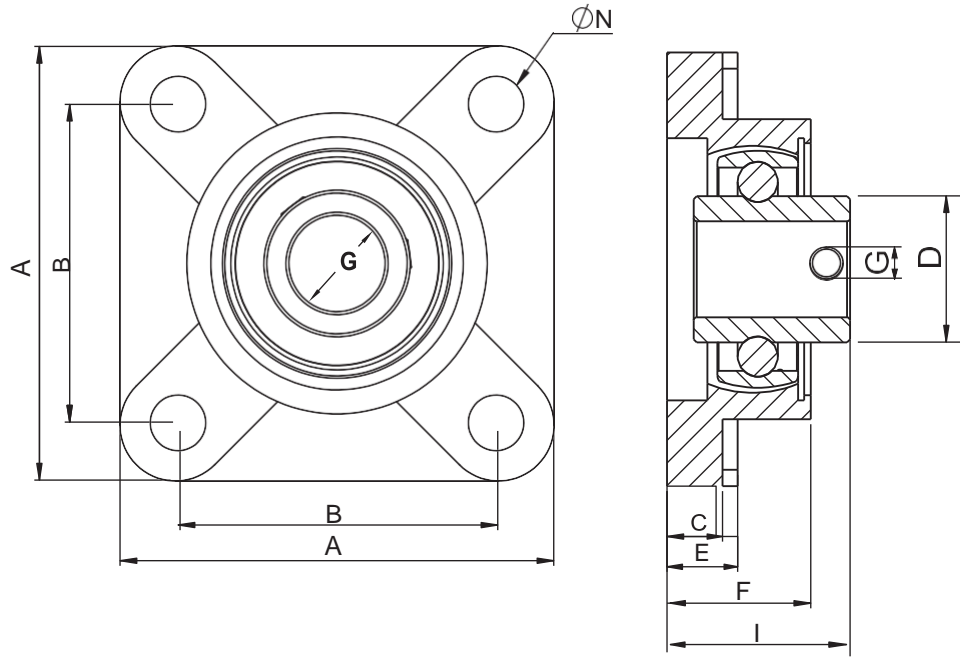


PLASTLINK CHAIN BELT-UCF-FOUR HOLE SS BEARING BLOCK WITH THERMOPLASTIC HOUSING



Manufacturer of Conveyor Components



Ød	CODE	A	B	C	D	E	F	G	I	ØN
20	F204	86	63.5	11	28.3	14	28.0	M6	35.0	11
25	F205	95	70	12	33.3	15	28.5	M6	36.5	11
30	F206	107	83	12	40	15	31.5	M6	41.0	11
35	F207	118.0	91.5	13.5	46.5	16	35	M8	45.5	13
40	F208	129	102	15	52.3	18	37	M8	53.0	11
45	F209	137	105	20	57.5	22	40.0	M8	55.0	16.5
50	F210	142	110	19	64.5	22	40.5	M10	58.0	16.5